

# ADVANTECH



## EasyVPN Client



© 2023 Advantech Czech s.r.o. No part of this publication may be reproduced or transmitted in any form or by any means, electronic or mechanical, including photography, recording, or any information storage and retrieval system without written consent. Information in this manual is subject to change without notice, and it does not represent a commitment on the part of Advantech.

Advantech Czech s.r.o. shall not be liable for incidental or consequential damages resulting from the furnishing, performance, or use of this manual.

All brand names used in this manual are the registered trademarks of their respective owners. The use of trademarks or other designations in this publication is for reference purposes only and does not constitute an endorsement by the trademark holder.

# Used symbols



*Danger* – Information regarding user safety or potential damage to the router.



*Attention* – Problems that can arise in specific situations.



*Information* – Useful tips or information of special interest.



*Example* – Example of function, command or script.

# Contents

<b>1. Changelog</b>	<b>1</b>
1.1 EasyVPN Client Changelog . . . . .	1
<b>2. Description of router app</b>	<b>2</b>
<b>3. Configuration of router apps</b>	<b>3</b>
<b>4. Related Documents</b>	<b>4</b>

## List of Figures

1 Model diagram . . . . .	2
2 Configuration form . . . . .	3

## List of Tables

1 Description of items in configuration form . . . . .	3
--	---

# 1. Changelog

## 1.1 EasyVPN Client Changelog

### v1.0.0 (2011-10-03)

- First release

### v1.0.1 (2011-11-25)

- Fixed bugs in JavaScript on web interface
- Minor improvements in HTML code

### v1.0.2 (2012-09-04)

- Added MASQUERADE to iptables after connect

### v1.0.3 (2015-06-10)

- Enabled using of hostname as "Gateway Address"

### v1.0.4 (2015-06-16)

- Internal improvements

### v1.0.5 (2015-08-20)

- Used latest revision(550) of vpnc daemon
- Added some configuration options to web interface

### v1.0.6 (2015-09-16)

- Fixed problem with unwanted starting duplicated instances of easyvpn

### v1.0.7 (2018-09-27)

- Added expected ranges of values to JavaScript error messages

## 2. Description of router app



Router app *Easy VPN Client* is not contained in the standard router firmware. Uploading of this router app is described in the Configuration manual (see Chapter [Related Documents](#)).

This module allows to establish a secure (encrypted) connection between LAN network behind Advantech router and LAN network behind CISCO router.

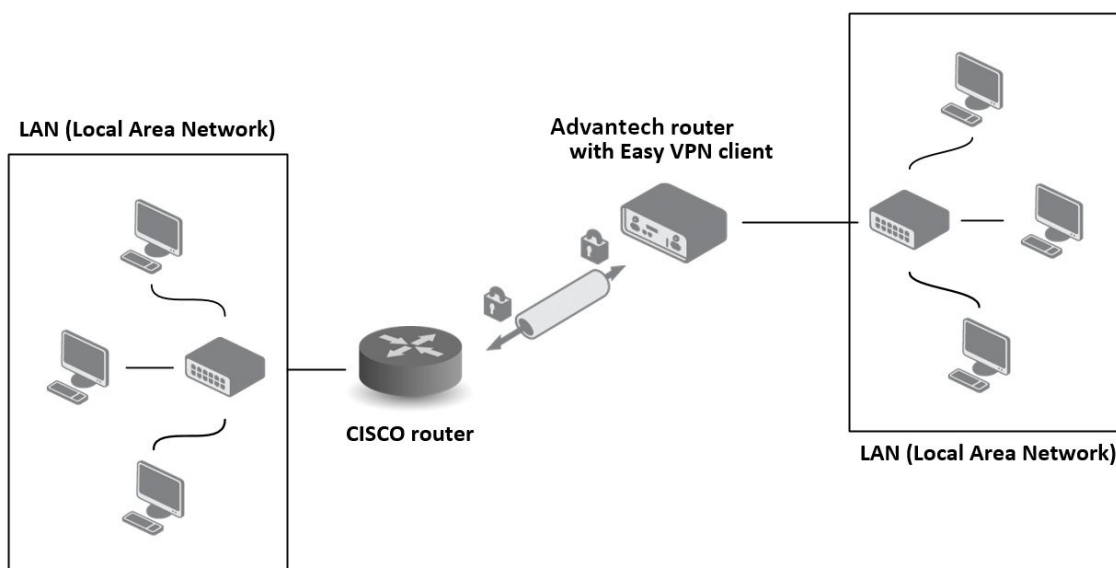


Figure 1: Model diagram

For configuration *Easy VPN client* router app is available web interface, which is invoked by pressing the module name on the *Router apps* page of the router web interface. The left part of the web interface (ie. menu) contains only the *Return* item, which switches this web interface to the interface of the router.

### 3. Configuration of router apps

The actual configuration of this router apps is performed via the form on the right side. The first item in this form – *Enable Easy VPN client* – is used to activate these router apps, ie. the creation of the tunnel. Meaning of other items is described in the table below:

Item	Description
Gateway Address	IP address of CISCO router
ID	Group ID in CISCO router
Secret	Password of group in CISCO router
Username	Username of user founded in CISCO router
Password	Password of user founded in CISCO router

Table 1: Description of items in configuration form

At the bottom of the configuration form is also available the *Masquerade outgoing packets* item which turns on system of address translation NAT (basically, this is an alternative name for the address translation system – NAT).

All changes will take effect after pressing the *Apply* button.

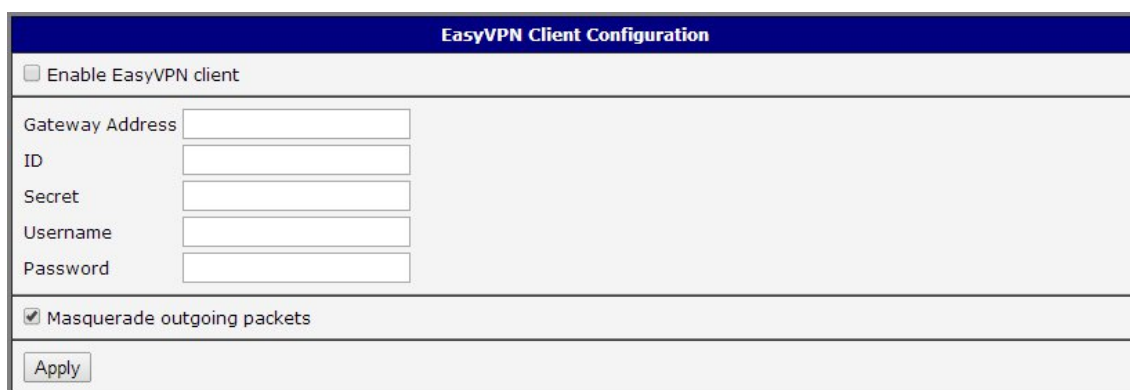


Figure 2: Configuration form



The moment the tunnel is established, a new interface tun0 is displayed on the *Network status* page of the router web interface.

## 4. Related Documents

You can obtain product-related documents on *Engineering Portal* at [icr.advantech.cz](http://icr.advantech.cz) address.

To get your router's *Quick Start Guide*, *User Manual*, *Configuration Manual*, or *Firmware* go to the [Router Models](#) page, find the required model, and switch to the *Manuals* or *Firmware* tab, respectively.

The *Router Apps* installation packages and manuals are available on the [Router Apps](#) page.

For the *Development Documents*, go to the [DevZone](#) page.